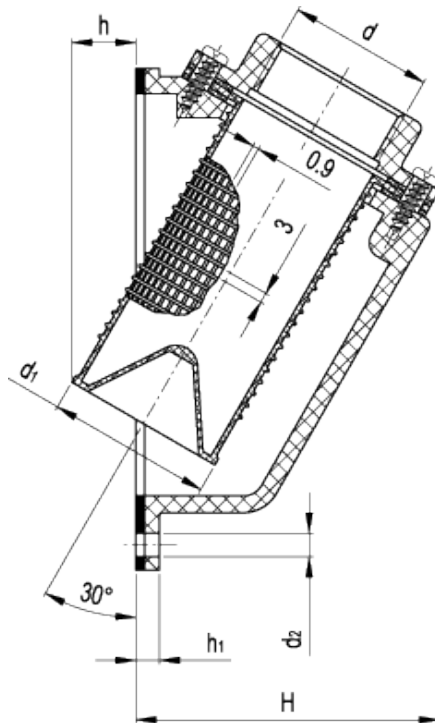


PLRF + C

Side mount
for threaded cap



ELESA Original design



technical informations

Mount

Polyamide based (PA) technopolymer with NBR synthetic rubber gasket. Resistant to solvents, oils, greases and other chemical agents.

Flange

Glass-fibre reinforced polyamide based (PA) technopolymer with threaded connector. Flat gasket in cork impregnated MGS based rubber.

Basket

Polypropylene based (PP) technopolymer. Resistant to solvents, oils, greases and other chemical agents.

Colour

Black, matte finish.

Assembly

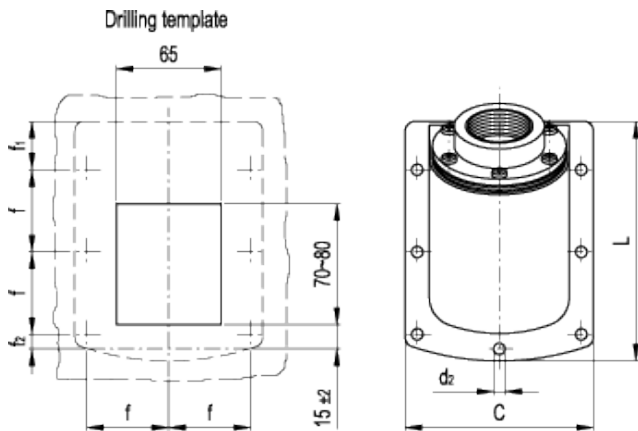
- Flange and basket are fitted to the mount by means of six zinc-plated steel self-tapping screws TC-N10 (Ø 4.8x19) UNI 6951-DIN 7971, included in the supply.
 - The mount is fitted to the reservoir by means of seven M6 screws and relative washers (not included).
- Maximum recommended torque: 4 Nm.

Special executions on request (For sufficient quantities)

Side mount threaded style flange without basket (execution PLRF).

Note

The breather cap to be coupled to the flange is not included.
Breather caps type [SFN.](#), [SFP.](#), [SFW.](#) can be used depending on customer's requirements.



Standard Elements		Main dimensions											Weight
Code	Description	d	L	C	H	d ₁	d ₂	h	h ₁	f	f ₁	f ₂	g
49411	PLRF+C	G 1¼	148.5	117	92	49	7	18	7	51	30	9	335

This product had the following design awards:





ELESA and GANTER models all rights reserved in accordance with the law. Always mention the source when reproducing our drawings.

STANDARD MACHINE ELEMENTS WORLDWIDE